

GEHL

283Z

Compact Excavator





Performance

Don't let the compact size of the 283Z fool you. An X-shaped chassis made of high-strength steel provides excellent digging and breakout forces.

The sturdy, one-piece boom is highly responsive, reducing operator fatigue and increasing accuracy.

And exceptional hydraulic control, efficiency and smoothness carry on the tradition of excellent performance.



Zero-Tail-Swing

Zero-tail-swing excavators are engineered to easily maneuver throughout small, crowded jobsites. And their innovative design provides the performance of conventional tail-swing machines.

Because the superstructure rotates entirely within the tracks without overhang, the 283Z can be operated close to other equipment and obstructions.

An optional 250 lb. counterweight increases machine stability by 15 percent. And its slender design adds only 2 inches of tail projection.

From Zero to HERO

Let the newest addition to the Gehl breed of compact excavators, the 2.8 ton 283Z, be your operation's hero. On small, cramped work sites where other machines can't gain access, the 283Z excels with its zero-tail-swing maneuverability, strong technology and unparalleled agility. Is your operation ready for the next generation of compact excavator?

- Zero-Tail-Swing Maneuverability – Superstructure rotates entirely within the tracks without overhang.
- Uncompromised operator comfort – for hours of fatigue-free operation.
- Easily transportable – with a transport weight less than 2.7 tons the 283Z can be transported on a passenger vehicle trailer of a permissible weight of 3.5 tons.
- Standard two-way auxiliary hydraulics with a direct-to-tank return line – seamlessly power attachments for the versatility and the expanded capability your operation requires.
- Strong, stable boom – One-piece boom boasts high stability and responsiveness.



Operator Comfort

With Gehl excavators, zero-tail-swing doesn't mean an operator has to sacrifice comfort. With a fully adjustable seat and armrests, the operator's station adjusts to the operator.

All controls and instruments are located ergonomically for ease of use.

An ingenious design adds to the operator's comfort as well. By placing the engine on the side of the machine, less heat and noise enters the cab from the engine compartment.



Service Access

The design of the 283Z ensures easy access for daily maintenance and routine service.

The large engine cover opens wide for excellent access to all service

points, including the fuel, air, oil and hydraulic oil filters as well as the water and hydraulic oil coolers. A simple, clear component layout adds to the ease of service, maintenance and visual inspection.

A removable floor plate in the cabin and tail cover are designed for time-saving maintenance with easy access to all components.

SPECIFICATIONS

	283Z
ENGINE	
Make	Yanmar
Model	3TNV76
Type	3-cylinder, water-cooled diesel
Displacement (cc)	68 cid (1114)
Net Power (kW)	20.4 hp (15.2)
Fuel Tank (L)	9.5 gal. (36)

HYDRAULIC SYSTEM

Pumps	two variable-capacity, two gear
Flow Rate - gpm (L/min)	2@8.1 (31) + 5.6 (21.2) + 2 (7.6)
Working Pressure (bar)	3263 psi (300)
Swing System Pressure (bar)	2988 psi (206)
Hydraulic Tank (L)	7.0 gal. (26.5)

UNDERCARRIAGE AND SLEWING SYSTEM

Travel Speed - dual (km/hr)	2.4 mph (3.9)
Gradability	30° = 58%
Rubber Track Width (mm)	(M) 11.8" (300)
No. of Track Rollers (bottom/top)	3 / 1
Sprocket Center	(P) 104" (2642)
Ground Clearance (mm)	10.9" (277)
Ground Pressure - average (kPa)	3.8 psi (26.2)
Slew Speed	10.25 rpm
Maximum Drawbar Pull (kN)	5,732 lbf (25.5)

GENERAL SPECIFICATIONS

Operating Weight (kg)	
cab (kg)	5,886 lbs. (2670)
canopy (kg)	5,681 lbs. (2577)
Height (mm)	(A) 7'11" (2413)
Width (mm)	(B) 5'2" (1575)
Transport Length (mm)	(C) 13'11.5" (4254.5)
Maximum Digging Depth (mm)	(D) 9'0" (2743)
Maximum Digging Height (mm)	(G) 14'1" (4299)
Maximum Vert. Wall Dig Depth (mm)	(E) 7'1" (2152)
Maximum Dump Height (mm)	(F) 9'8.9" (2972)
Maximum Digging Radius (mm)	(I) 15'4" (4681)
Bucket Dig Force (kN)	5,057 lbf (22.5)
Arm Force (kN)	4,923 lbf (21.8)
Minimum Tail Swing Radius (mm)	(K) 30" (760)
Minimum Front Swing Radius (mm)	(L) 64" (1641)
Swing Angle - left/right	(R/Q) 75° / 50°

DOZER BLADE

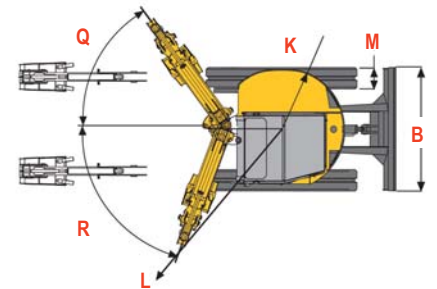
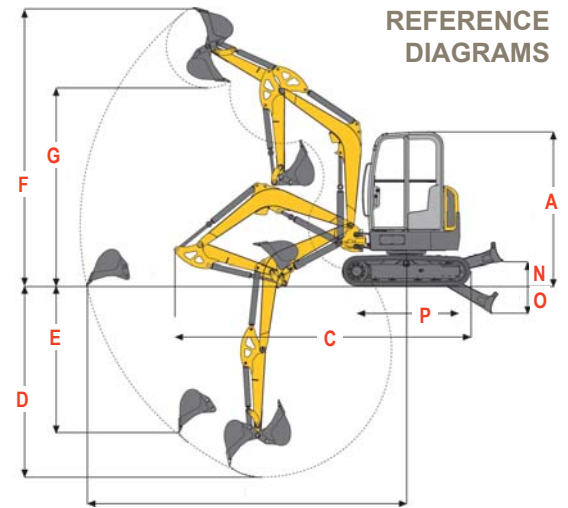
Width / Height (mm)	5'2" / 11.4" (1570/290)
Max. Lift - above / below ground (mm)	(N/O) 15" / 16.5" (380/419)

SOUND LEVELS

Power / Pressure Level	93 db(A) / 77 db(A)
------------------------	---------------------

GEHL The Right Choice for
COMPACT EQUIPMENT.

143 Water Street • West Bend, WI 53095 • 262.334.9461 • Fax: 262.338.7517



283Z LIFTING CAPACITIES

Standard Unit with Long Dipper Arm

		Maximum		11'6" (3.5 m)		9'9" (3.0 m)		8'2" (2.5 m)	
		Pounds (kg)		Pounds (kg)		Pounds (kg)		Pounds (kg)	
B	A	1014	893	992	838	937	837	1036	1036
		(460)	(405)	(450)	(380)	(425)	(425)	(470)	(470)
9'9" (3.0 m)		992	683	992	838	937	837	1036	1036
6'6" (2.0 m)		1014	628	1157	805	1367	1003	1764	1301
3'3" (1.0 m)		1014	460	285	525	365	620	455	800
0		1036	470	295	580	350	720	948	2105
0		470	295	580	350	720	948	2105	1224
-3'3" (-1.1 m)		1058	480	783	1047	772	1433	948	1885
		(480)	(355)	(475)	(350)	(650)	(430)	(855)	(555)

A - Overhang from the center of the turntable
B - Height of load fixing point
- Dozer blade support in drive dirn
- Dozer blade support 90° to drive
* - The lifting capacity is hydraulically limited

SAFETY IS NO ACCIDENT

Gehl Company reminds users to read and understand the operator's manual before operating any piece of equipment, and to be sure all safety devices and shields are securely in place and functioning properly.

Gehl Company reserves the right to make changes in specifications or add improvements at any time without notice or obligation.